

# TREBOR BUILDING PRODUCTS LTD.

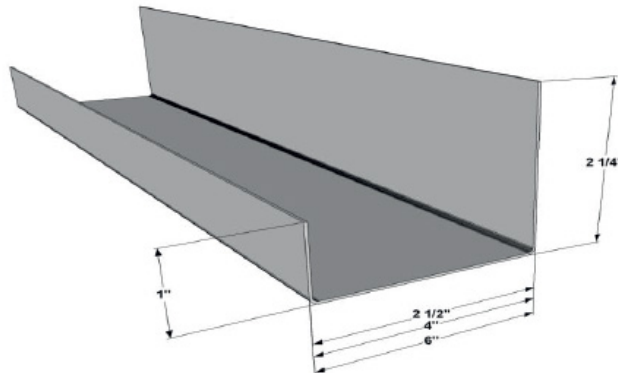
1499-B Star Top Road, Gloucester, Ontario K1B 3W5  
TEL.: (613) 749-6600 FAX: (613) 749-2790

## TECHNICAL DATA SHEET

### J TRACK

Our J tracks meet Canadian steel standards established by CSSBI (Canadian Institute of Sheet Steel Building) ASTM-C645.

They are available in standard widths and thicknesses and are manufactured only in lengths of 10' (3048mm), see dimensions below:



WIDTH	LENGTH	THICKNESSES
2 1/2" (64mm)	10'	.018" (.46mm)
4" (102mm)		.034" (.86mm)
6" (152mm)		

Galvanizing used for the components is described in the CSSBI Technical Bulletin of February 2006, G60 (Z-180) for all thicknesses. Also available in G90 (Z-275).

